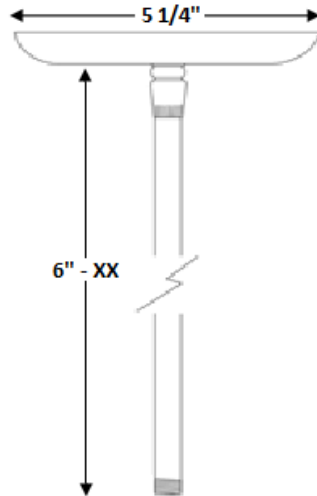




FOOD WARMER



ST12/41-48



MODEL: ST12/STXX

PREPARED BY: _____

TYPE: _____

JOB NAME: _____

DATE: _____

CERTIFICATION: UL Listed NSF Approved

Rigid Stem

Standard length 12"

Customizable length, minimum 6"

Lengths longer than 12" additional cost will apply

20° Swivel

Stem and Canopy finish will match fixture finish unless specified

MODEL #	FINISH	LIGHT SOURCE				MOUNTING OPTIONS	ACCESSORIES
		INC					
ST12	SB, PB, PN, 21P	250WRC				ST12	TSC
STXX	40, 41, 42, 43, 44	250WCC				STXX	TSF ²
	45, 48, 49, 50, 51	250WRU ¹					TSR
	52, 53, 57, 58, 59	250WCU ¹					ADP
	61, 62, 70, 71, 74	375WRC					HTRB-4
	75, 76, 79, 81, 84	375WCC					HTRW-4
	87, 88, 90, 93, 95	375WRU ¹					HTRB-8
	97	375WCU ¹					HTRW-8
							HTRB-12
							HTRW-12

1. not NSF approved. 2. not available with 375 watt bulb.

.SUBJECT TO MODIFICATION WITHOUT NOTICE.

